



SUBMITTAL

SPA-SERIES

AIR SEPARATOR WITH STRAINER

Models: SPA-2S thru SPA-24S

Submittal Sheet No. SPA-2016B

Date: 4/20

Job Name _____	Submitted By _____	Date _____
Location _____	Approved By _____	Date _____
_____	Order No. _____	Date _____
Engineer _____	Notes _____	
Contractor _____	_____	
Sales Rep. _____	_____	

Description

AA tanks SPA ASME Vortex type Air Separators eliminate air quickly and efficiently from open and closed loop heating/cooling systems. Water enters and exits through unique "tangential" connections, which promote a low velocity swirling effect in the center of the unit. Natural centrifugal forces allow the heavier air-free water to move toward the outer edges while entrained air is captured within the "eye" of the vortex and released out of the top of the separator. The bubble-free water then exits near the bottom of the unit, protecting the systems against the noise, corrosion, and damage commonly caused by entrained air. SPA units also include system strainer.

Construction

Shell: Carbon Steel
 Heads: Carbon Steel
 (Available in 304 / 316 Stainless Steel)
 Strainer: Stainless Steel

Performance Limitations

Maximum Design Temperature: 450°F
 Maximum Design Pressure: 125 PSIG*
 *200 & 250 PSIG available



Model Number	Part Number	Max Flow (GPM)	Tagging Information	Quantity
SPA-2-S	72072101	56		
SPA-2.5-S	72072102	90		
SPA-3-S	72072103	190		
SPA-4-S	72072104	300		
SPA-5-S	72072105	530		
SPA-6-S	72072106	850		
SPA-8-S	72072108	1900		
SPA-10-S	72072110	3200		
SPA-12-S	72072112	4800		
SPA-14-S	72072114	6100		
SPA-16-S	72072116	8000		
SPA-18-S	72072118	9700		
SPA-20-S	72072120	12000		
SPA-22-S	72072122	15000		
SPA-24-S	72072124	17000		

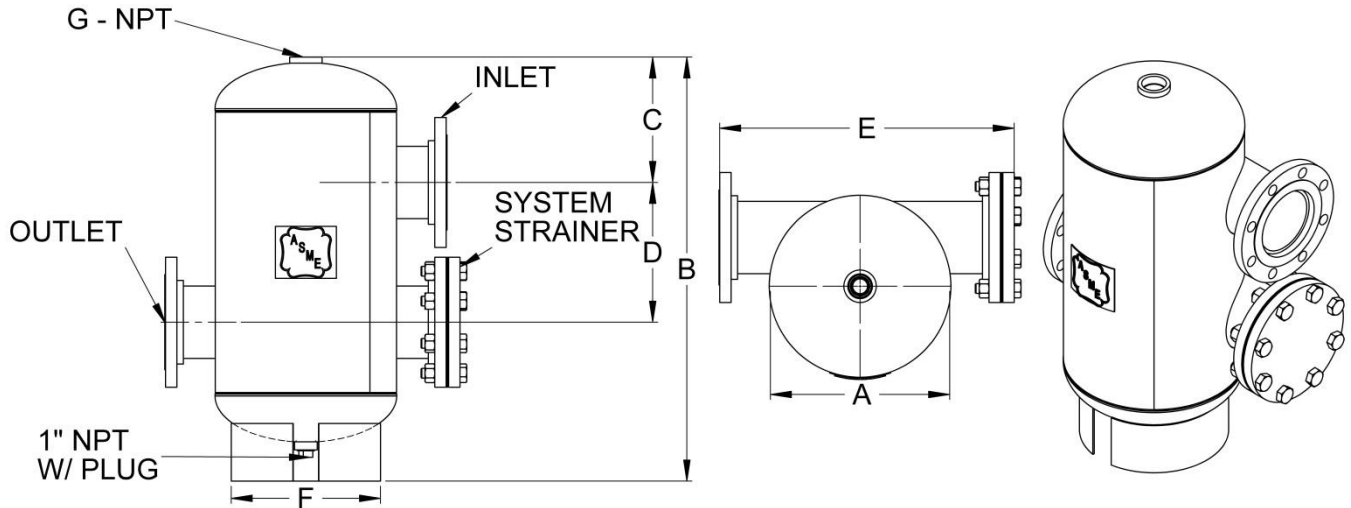
Typical Specification

Furnish and install, as shown on plans, a vortex type air separator model SPA _____-S sized for _____GPM, with _____" (NPT/Flanged) tangential connections, as manufactured by AA tanks Company. A blowdown connection shall be provided to facilitate routine cleaning of the unit. The tank must be constructed in accordance with most recent addendum of Section VIII Division 1 of the ASME Boiler and Pressure Vessel Code, and shall be constructed and stamped for 125 PSI working pressure @ 450°F.

Each air separator shall be AA tanks model number SPA _____-S or approved equal.

25110 THOMAS DR • WARREN, MI 48091 • (586) 427-7700 • (586) 427-7895 FAX • www.aatanks.com





SPA-2S thru SPA-24S

Dimensions & Weights

Model Number	Dimensions in Inches								Approx. Shipping Wt (lbs)
	Connection Size	A	B	C	D	E	F	G	
SPA-2-S	2 NPT	12	24 1/2	6	8 1/2	16 5/8	9 1/2	1 1/4	48
SPA-2.5-S	2.5 NPT		25	6 1/4	8	19 3/4			61
SPA-3-S	3		32	9 1/8	10 3/4	21 3/4			82
SPA-4-S	4	14	32	9 1/8	10 3/4	21 3/4	11 1/2	1 1/2	99
SPA-5-S	5								132
SPA-6-S	6	20	44	13 1/4	14 1/2	28	18	2	190
SPA-8-S	8								308
SPA-10-S	10	30	60 1/2	19	20	41	24		606
SPA-12-S	12								812
SPA-14-S	14	36	78	22	31 1/2	46 3/8	30		1138
SPA-16-S	16	48	108	30	40	60	38		2520
SPA-18-S	18	54	124	33	50	66	44		2973
SPA-20-S	20	60	138	35	60	72	50		3904
SPA-22-S	22	66	150	38	66	78	56		4684
SPA-24-S	24	66				80			5003

Notes

- Available with mounting clips.