

AA tanks

SUBMITTAL

TYPE: FXA ASME PRE-CHARGED
HYDRO-PNEUMATIC TANKS
MODELS: FXA 700

Submittal Sheet No. FXA-701.2

Date: April, 2012

JOB _____

AA tanks Representative _____

Unit Tag No. _____

Order No _____ Date _____

Engineer _____

Submitted By _____ Date _____

Contractor _____

Approved By _____ Date _____

DESCRIPTION

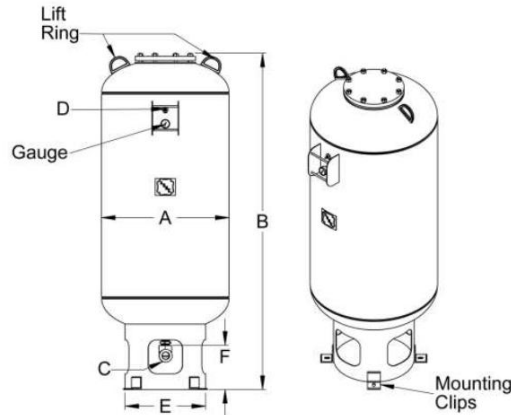
AA tanks Type FXA 700 Tank is an ASME replaceable bladder type pre-charged hydro-pneumatic tank for commercial and industrial well and water systems, booster systems, or other potable water applications. It is designed to deliver water under pressure between pump cycles to provide sufficient flow to meet demands. The water is contained in a heavy-duty butyl rubber bladder. All FXA hydro-pneumatic tanks can be installed vertically or horizontally.

CONSTRUCTION

Shell: Carbon Steel
System Connection: Epoxy Lined
Bladder: Heavy Duty Butyl
(NSF Certified / FDA Approved Materials)

PERFORMANCE LIMITATIONS

Maximum Design Pressure: 200 PSIG
(250 PSIG Available)
Maximum Design Temperature: 240°F



FXA-700

DIMENSIONS & WEIGHTS

Model Number	Tank Volume Gallons	Dimensions in Inches							Approx. Shipping Weight (lbs)
		Diameter	OAL	System Connection	Charging Valve	E	F	Pressure Gauge	
		A	B	C	D				
FXA 700	185	30	80	1 1/2	0.302" -32NC	19	13	1/4	600

NOTE: • Tanks are factory pre-charged to 30 PSI and field adjustable.
• 250 PSI models are also available.

TYPICAL SPECIFICATIONS

Furnish and install, as shown on plans, a _____ gallon _____" diameter X _____" (high) pre-charged steel hydro-pneumatic tank with heavy-duty butyl bladder. The tank shall have bottom NPT system connections and a 0.302"-32 charging valve connection (standard tire valve) to facilitate the on-site charging of the tank to meet system requirements. The tank shall have a 1/4" NPT connection for relief valve and air pressure gauge. The tank will have a lifting ring and a floor mounting skirt for vertical installation. The tank must be constructed in accordance with most recent addendum of Section VIII Division 1 of the ASME Boiler and Pressure Vessel Code.

The tank shall be AA tanks model number FXA-700 or approved equal.