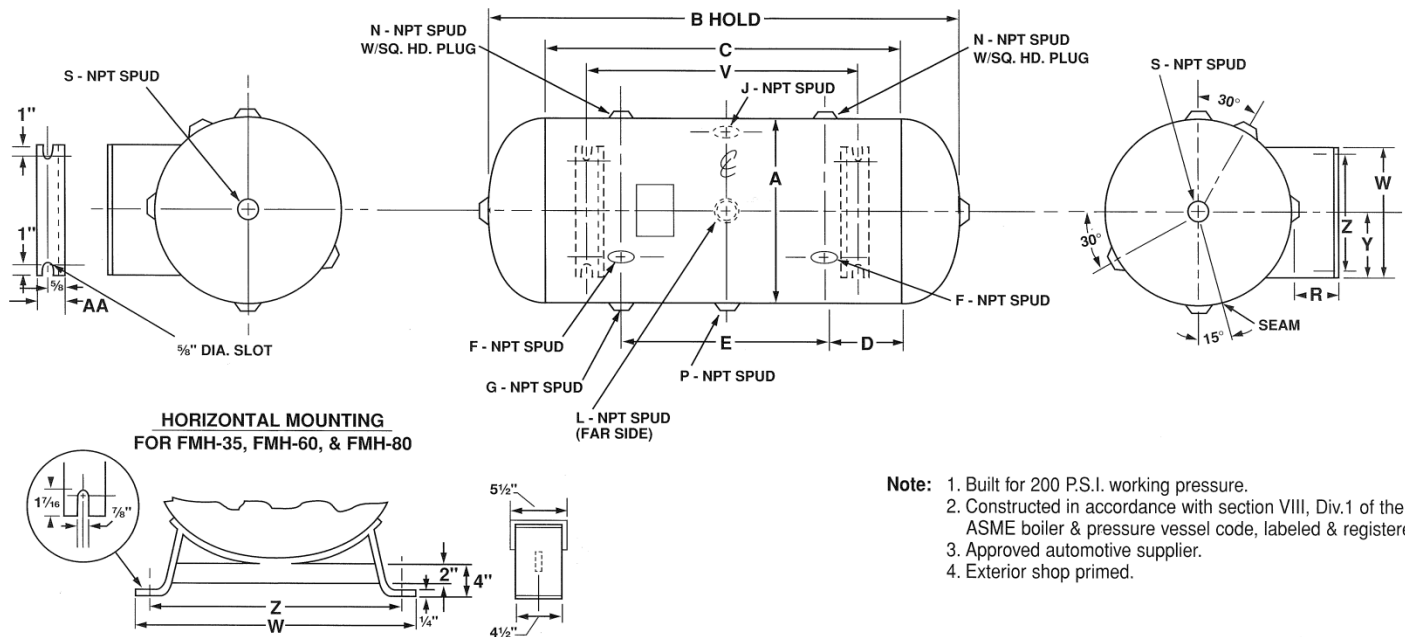


# ASME TANKS & PRESSURE VESSELS

## ASME HORIZONTAL AIR SURGE TANKS

### STANDARD AIR ACCUMULATOR



### DIMENSIONS & WEIGHTS

Part Number	Actual Capacity		Dimensions in Inches																	Approx Weight (lbs)	
	Gal.	Cu. Ft.	Dia.	OAL	C	D	E	F	G	J	L	N	P	R	S	V	W	Y	Z		AA
			A	B																	
FMH-18	8	1.1	12	19	12	3	6	1	1	0.25	0.5	--	0.5	3	1.5	8	8	4	6	2	30
FMH-38	17	2.2	12	37	30	7.5	20	1	1	0.25	0.5	--	0.5	3	1.5	20	8	4	6	2	50
FMH-50	22	2.9	14	33	25	5	15	1.5	1.5	0.5	0.5	1.5	0.5	3	2	16	12	6	10	2	68
FMH-75	33	4.5	16	38	29	5.5	19	1.5	1.5	0.5	0.5	1.5	0.5	3	2	24	15.25	7.625	13.5	2	95
FMH-10	46	6.2	18	46	36	9	18	1.5	1.5	0.5	0.5	2	0.5	3	2	24	19	9.5	16.5	2	140
FMH-12	52	7.0	20	44	33	4.5	24	2	2	0.5	0.5	2	--	4	2	24	16	8	14	2	151
FMH-20	87	11.7	24	49	36	9	18	1.5	1.5	0.5	0.5	2	0.5	4	2	24	19	9.5	16.75	2	230
FMH-25	109	14.5	24	62	48	8.5	20	1.5	1.5	0.5	0.5	2	0.5	4	2	36	19	9.5	16.75	2	295
FMH-35	153	20.5	30	54	36	8	20	2	2	1	0.5	2	1	4	2	36	28	14	26	2	430
FMH-60	260	34.8	30	90	72	8	33	2	2	1	0.5	2	0.75	4	2	60	28	14	26	--	700
FMH-80	330	44.2	36	83	60	15.5	30	--	2	--	0.75	2	0.75	4	2	54	32	16	28	--	1000