



**SUBMITTAL**

**TYPE:** INSULATED AND JACKETED  
GLASSLINED STORAGE TANKS

**MODELS:** GN120VJ THRU GA1000VJ

Submittal Sheet No. G-3050

Date 9-06

JOB \_\_\_\_\_

AA tanks Representative \_\_\_\_\_

Unit Tag No. \_\_\_\_\_

Order No. \_\_\_\_\_ Date \_\_\_\_\_

Engineer \_\_\_\_\_

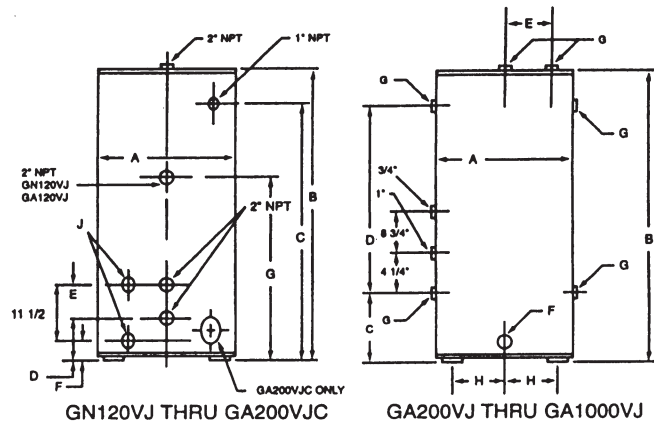
Submitted By \_\_\_\_\_ Date \_\_\_\_\_

Contractor \_\_\_\_\_

Approved By \_\_\_\_\_ Date \_\_\_\_\_

**DESCRIPTION**

- You can depend on AAtanks Glasslined Storage Tanks. They are designed for optimum energy efficiency, durability and long lasting performance.
- The fired-on glasslining makes this tank impervious to corrosion that continually attacks storage tanks. This assures you the longest tank life possible.
- Designed for hot or cold potable water up to 180°F.
- Anti-corrosion anode(s) provide longer tank life and maximum protection.
- Each unit is wrapped with 2" high density insulation to minimize heat loss, give extra jacket rigidity and meet ASHRAE 90 lb.-1992.
- Steel jacket is finished in baked enamel for long life, with a special anti-corrosion coating on inner and outer surfaces.
- Five year limited warranty.



MODEL NUMBER	GAL. CAP.	PSI W.P.	A	B	C	D	E	F	G	H	J	SHIPPING WEIGHT
GN120VJ	120	150	29 1/2	62	54	4 1/8	6 7/8	3 1/2	42	---	3/4	320
GA120VJ	120	160	28	63 1/2	55 3/4	11	6 7/8	10	44 1/2	---	3/4	400
GA200VJC	175	150	32	77	66	11 1/4	5	6 3/4	---	---	3/4	560
GA200VJ	200	125	36	83	22	45	10	1 1/2	2 1/2	7 3/4	---	615
GA350VJ	350	125	42	100	23 1/2	57	14	1 1/2	2 1/2	9 1/2	---	940
GA400VJ	400	125	42	105	23 1/2	64	14	1 1/2	2 1/2	9 1/2	---	1012
GA500VJ	500	125	55	84	27 3/4	33 1/4	18	1 1/2	3	12 3/4	---	1658
GA750VJ	750	125	55	116	27 3/4	65 1/2	18	1 1/2	3	12 3/4	---	2094
GA1000VJ	1000	125	55	150	27 3/4	97 1/2	18	1 1/2	3	12 3/4	---	3328

**TYPICAL SPECIFICATIONS**

Furnish and install as shown on the plans and described herein, a Glass Lined Storage Tank Model \_\_\_\_\_, or approved equal. All models shall have a working pressure of \_\_\_\_\_ PSI and be fabricated to the latest revision of the ASME Boiler and Pressure Vessel Code\*. The interior shall be properly prepared and sandblasted to white metal prior, and shall be glass lined with an epitaxial glass crystal combining alkaline borosilicate and cobalt ferrite which has been fused to the steel base by firing at 1600 degrees Fahrenheit. Outer steel jacket shall have a baked enamel finish covering high density insulation to meet ASHRAE 90 lb.-1992 standard. Glass coating shall be continuous over the entire inner surface of the tank. Magnesium anode rods shall be provided.

24356 SHERWOOD • CENTER LINE, MI 48015 • (586) 427-7700 • (586) 427-7895 FAX • www.aatanks.com