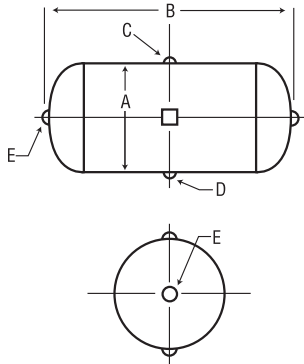


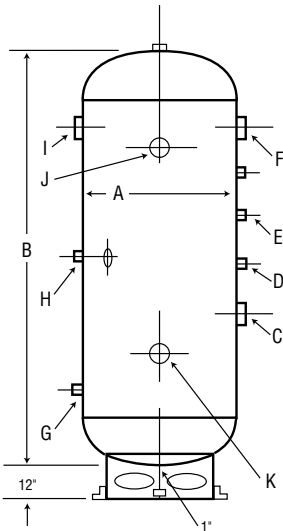
# PRESSURE VESSELS

## STOCK SIZES

MANY OTHER STOCK SIZES AVAILABLE

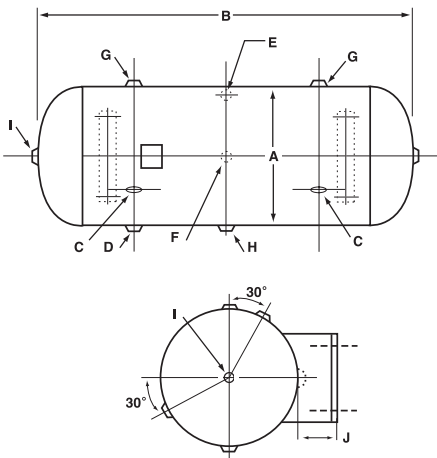


200 PSI ASME Bare Pressure or Vacuum Tanks							
Part #	Capacity		Dimensions (in inches)				
	Gal.	Cubic Ft.	A	B	C	D	E
7IR200	7	0.9	10	24	3/4	3/8	1
8IR200	8	1.0	12	19	3/4	3/8	1
17IR200	17	2.0	12	37	3/4	3/8	1
20IR200	20	2.7	14	33	3/4	3/8	1
30IR200	30	4.0	16	38	3/4	3/4	1
60IR200	60	8.0	20	48	1 1/2	1/2	1 1/2
80IR200	80	10.8	20	63	1 1/2	1/2	1 1/2
120IR200	120	16.7	24	69	2	1 1/2	2



Vertical Large Size Multiple Opening ASME Pressure or Vacuum Tanks													
Part #	Gal.	W/P (PSI)	Dimensions (in inches)										
			A	B	C	D	E	F	G	H	I	J	K
120ARV200	120	200	24	65	-	-	-	3/4	1 1/2	1/2	1 1/2	2	2
200ARV200	200	200	30	74	-	-	-	3/4	1 1/2	2	1 1/2	2	2
240ARV200	240	200	30	84	-	-	-	3/4	1 1/2	2	1 1/2	2	2
400ARV150	400	150	36	92	3	1	1/4	1	1	-	-	3	2
400ARV200	400	200	36	92	3	1/2	1/4	1 1/2	1	-	-	3	2
500ARV150	500	150	36	116	3	1	1/4	1	1	-	-	3	2
620ARV150	620	150	42	113	2	3/4	3/4	3	1	-	-	-	3
1040ARV150	1040	150	48	144	2	3/4	3/4	6F	1	-	-	-	6F
1550ARV150	1550	150	54	168	2	3/4	2	6F	1	-	-	-	6F
2200ARV150	2200	150	60	192	2	3/4	2	6F	1	-	-	-	6F
3000ARV150	3000	150	66	217	2	3/4	2	8F	1	-	-	-	8F
3750ARV150	3750	150	72	230	2	3/4	2	8F	1	-	-	-	8F

\*12" X 16" Manhole furnished on 42" diameter tanks and larger



200 PSI ASME Horizontal Multiple Opening Pressure Surge or Vacuum Tanks											
Part #	Capacity		Dimensions (in inches)								
	Gal.	Cubic Ft.	A	B	C	D	F	G	H	I	J
FM18H	8	1.1	12	19	1	1	1/2	-	1/2	1 1/2	3
FM38H	17	2.2	12	37	1	1	1/2	-	1/2	1 1/2	3
FM50H	22	2.9	14	33	1 1/2	1 1/2	1/2	1 1/2	1/2	2	3
FM75H	33	4.5	16	38	1 1/2	1 1/2	1/2	1 1/2	1/2	2	3
FM10H	46	6.2	18	46	1 1/2	1 1/2	1/2	2	1/2	2	3
FM12H	52	7.0	20	44	2	2	1/2	2	-	2	4
FM20H	87	11.7	24	49	1 1/2	1 1/2	1/2	2	1/2	2	4
FM25H	109	14.5	24	62	1 1/2	1 1/2	1/2	2	1/2	2	4
FM28H	121	16.2	24	65	2	2	1/2	2	-	2	4
FM35H	153	20.5	30	54	2	2	1/2	2	1	2	4
FM60H	260	34.8	30	90	2	2	1/2	2	3/4	2	4
FM80H	330	44.2	36	83	-	2	3/4	2	3/4	2	4

- 456 Standard Sizes
- Tank Diameters from 10" to 120"
- Pressures to 1000 PSI

- Available to meet ASME, CRN, CE and USCG Specifications, ABS Certification and CRN registration
- Tanks for Ships, Trains, Trucks and other mobile Equipment

**Satisfying Your Tank Requirements – From 10 to 10,000 Gallons**